

Features:

- Four optical channels
 - DX: 2 Transmitters, 2 Receivers
 - TX: 4 Transmitters
 - RX: 4 Receivers
- Supports data rates up to 5 Gbps
- 850nm VCSEL transmitters and PIN receivers
- IEC-60825-1 Class 1 eye safety compliant
- Option for RoHS 6/6 compliant and lead free per Directive 2011/65/EU
- Typical reach of 500m on 50/125, 2000 MHz-km MMF
- Separable electrical interface for manufacturing and service convenience
- ARINC 801 fiber interface
- Enhanced status and diagnostics monitor interface
- -40°C to +85°C standard operating temperature, extended options available
- -55°C to +105°C storage temperature
- Parylene conformal coating option



The RCP-5G-SX is ideal for harsh environment connectivity because of its low cost, availability, and wide operating parameters



Absolute Maximum Ratings

Parameter	Symbol	Min.	Max.	Unit	Note
Maximum Supply Voltage	V _{CC}	-0.3	4.0	V	
Electrostatic Discharge	ESD		500	V	Data I/O pins (1)
Storage Temperature	T _{sto}	-55	105	°C	
Relative Humidity	RH	0	85	%	Non-condensing (2)
Conformal Coating		0.8	1.2	mil	See ruggedization notes, pg.5

Notes:

- 1) Proper ESD precautions should be observed while attaching RCP to the host board.
- 2) Based on conformal coating.

General Specifications

Parameter	Symbol	Min.	Typ.	Max.	Unit	Notes
Supply Voltage	V _{CC}	3.14	3.3	3.47	V	3.3V ±5%
Supply Voltage Rise Time to 1.8V	t _{rvcc}			1	ms	Required if no ext. supervisor reset
Data Rate	BR	1		5	Gbps	Balanced NRZ data protocols (1)
Operating Temperature	T _{OP}	-40		85	°C	-40 to 100°C option available

Contact COTSWORKS for information regarding lower data rates.

Electrical Specifications (T_{OP} = -40°C to 100°C, V_{CC} = 3.14V to 3.47 V)

Parameter	Symbol	Min.	Typ.	Max.	Unit	Notes
Total Module Power Dissipation	P _{DISS(DX)}			1.52	W	Dual duplex configuration
Total Module Power Dissipation	P _{DISS(TX)}			1.39	W	Quad transmitter configuration
Total Module Power Dissipation	P _{DISS(RX)}			1.67	W	Quad receiver configuration
Transmitter						
Supply Current (Per Channel)	I _{CC}	50		100	mA	
Input differential impedance	R _{in}	90	100	110	Ω	
Single-Ended Input Voltage Swing	V _{IN(p-p)}	50		600	mV _{pp}	
TX FAULT Asserted	V _{FH}	2.0			V	LVTTTL output
TX FAULT De-asserted	V _{FL}			0.8	V	LVTTTL output
TX Disable Input Voltage	V _{DIS}	2.0			V	LVTTTL, internal 10kΩ pull-up
TX Enable Input Voltage	V _{EN}			0.8	V	LVTTTL, internal 10kΩ pull-up
Receiver						
Supply Current (Per Channel)	I _{CC}			120	mA	
Single-Ended Output Voltage Swing	V _{OUT(p-p)}	250		400	mV	
Data Output Rise Time	t _r		80	100	ps	(1)
Data Output Fall Time	t _f		80	100	ps	(1)
Contributed Total Jitter	TJ _{RX(p-p)}			0.45	UI	Input Power = -16 dBm
Contributed Deterministic Jitter	DJ _{RX(p-p)}			0.2	UI	Input Power = -16 dBm
Loss of Signal De-Assert Voltage	V _{LOSD}			0.8	V	LVTTTL output
Loss of Signal Assert Voltage	V _{LOSA}	2.5		V _{CC}	V	LVTTTL output
Serial Bus						
Data, Clock Input Low Voltage	V _{IL}			0.8	V	
Data, Clock Input High Voltage	V _{IH}	2.0		V _{CC}	V	
Data, Clock Output Low Voltage	V _{OL}			0.4	V	
Data, Clock Output High Voltage	V _{OH}	2.4		V _{CC}	V	
Notes:						
1) Measured with 9GHz minimum analog bandwidth 20% to 80%						

Pin Configuration

Pin	Symbol	Description	Logic/Protocol
1	VCC_4	Channel 4 VCC	+3.3V
2	GND_4	Channel 4 Signal Ground	0V
3	GND_4	Channel 4 Signal Ground	0V
4	CH4_DIS	Channel 4 Disable	LVTTTL
5	N/C	Do Not Connect	No Connect
6	VCC_3	Channel 3 VCC	+3.3V
7	GND_3	Channel 3 Signal Ground	0V
8	GND_3	Channel 3 Signal Ground	0V
9	CH3_DIS	Channel 3 Disable	LVTTTL
10	SDA	2-Wire Bus Data	I2C
11	SCL	2-Wire Bus Clock	I2C
12	CH2_DIS	Channel 2 Disable	LVTTTL
13	GND_2	Channel 2 Signal Ground	0V
14	GND_2	Channel 2 Signal Ground	0V
15	VCC_2	Channel 2 VCC	+3.3V
16	CTRL_INT	Controller Interrupt	LVTTTL
17	CH1_DIS	Channel 1 Disable	LVTTTL
18	N/C	Do Not Connect, Internal Use Only	No Connect
19	/RST	Controller /RST	Note 1
20	VCC_1	Channel 1 VCC	+3.3V
21	GND_1	Channel 1 Signal Ground	0V
22	D1-	Channel 1 Data Negative	CML
23	D1+	Channel 1 Data Positive	CML
24	GND_1	Channel 1 Signal Ground	0V
25	FLT1/LOS1	Fault for Tx Channel 1 or Loss of Signal for Rx Channel 1	LVTTTL
26	GND_2	Channel 2 Signal Ground	0V
27	D2-	Channel 2 Data Negative	CML
28	D2+	Channel 2 Data Positive	CML
29	GND_2	Channel 2 Signal Ground	0V
30	FLT2/LOS2	Fault for Tx Channel 2 or Loss of Signal for Rx Channel 2	LVTTTL
31	FLT3/LOS3	Fault for Tx Channel 3 or Loss of Signal for Rx Channel 3	LVTTTL
32	GND_3	Channel 3 Signal Ground	0V
33	D3-	Channel 3 Data Negative	CML
34	D3+	Channel 3 Data Positive	CML
35	GND_3	Channel 3 Signal Ground	0V
36	FLT4/LOS4	Fault for Tx Channel 4 or Loss of Signal for Rx Channel 4	LVTTTL
37	GND_4	Channel 4 Signal Ground	0V
38	D4-	Channel 4 Data Negative	CML
39	D4+	Channel 4 Data Positive	CML
40	GND_4	Channel 4 Signal Ground	0V
G1-4	GND	Mounting Ground Pads for Connector	0V

Host top view	Pin	Symbol	Description
GND_4	G4	G1	GND_4
GND_4	40	1	VCC_4
D4+	39	2	GND_4
D4-	38	3	GND_4
GND_4	37	4	CH4_DIS
FLT4/LOS4	36	5	N/C
GND_3	35	6	VCC_3
D3+	34	7	GND_3
D3-	33	8	GND_3
GND_3	32	9	CH3_DIS
FLT3/LOS3	31	10	SDA
FLT2/LOS2	30	11	SCL
GND_2	29	12	CH2_DIS
D2+	28	13	GND_2
D2-	27	14	GND_2
GND_2	26	15	VCC_2
FLT1/LOS1	25	16	CTRL_INT
GND_1	24	17	CH1_DIS
D1+	23	18	N/C
D1-	22	19	/RST
GND_1	21	20	VCC_1
GND_1	G3	G2	GND_1

Notes:

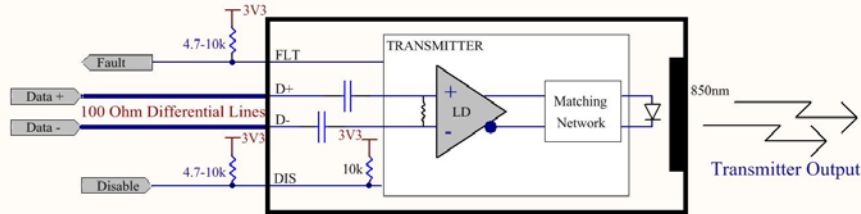
- Pin 19 is connected to the /RST pin of the microcontroller. See Application schematics for recommended connection.
- Channels 1 & 4 are TX circuits and Channels 2 & 3 are RX circuits in DX transceiver configuration.

Optical Characteristics (T_{OP} = -40°C to 100°C, V_{CC} = 3.14V to 3.47 V)

Parameter	Symbol	Min.	Typ.	Max.	Unit	Notes
Transmitter						
Optical Output Power	P _O	-5		-1	dBm	(1)(2) T _{op} = -40°C to 85°C
Optical Output Power (>85°C)	P _{OX}	-7		-1	dBm	(1)(2) T _{op} = 85°C to 100°C
Optical Output Wavelength	λ _c	830	850	860	nm	(1)
RMS Spectral Width	λ _{RMS}		0.4	0.5	nm	(1)
Extinction Ratio	ER	9			dB	T _{op} = -40°C to 85°C
Extinction Ratio (>85°C)	ER _X	7			dB	T _{op} = 85°C to 100°C
Optical Rise Time	t _r		30	50	ps	(3)
Optical Fall Time	t _f		70	95	ps	(3)
Relative Intensity Noise	RIN			-130	dB/Hz	
Contributed Total Jitter	TJ _{TX(p-p)}			0.3	UI	
Contributed Deterministic Jitter	DJ _{TX(p-p)}			0.2	UI	
Receiver						
Receiver Sensitivity: 5 Gbps	P _{IN_5}			-14	dBm	(4) BER=1E-12
Receiver Sensitivity: 4.25 Gbps	P _{IN_4}			-16	dBm	(4) BER=1E-12
Receiver Sensitivity: 2.13 Gbps	P _{IN_2}			-18	dBm	(4) BER=1E-12
Receiver Sensitivity: 1.25 Gbps	P _{IN_1}			-21	dBm	(4) BER=1E-12
Receiver Overload	P _{OL}	0			dBm	(4) Error Free
Optical Input Wavelength	λ _P	780	850	860	nm	
Optical Return Loss	ORL	12			dB	
Loss of Signal Assert	LOS _A	-24			dBm	Invalid optical input power threshold
Loss of Signal De-Assert	LOS _D			-19	dBm	Valid optical input power threshold
Loss of Signal Hysteresis	LOS _H	1		5	dB	(LOS _D - LOS _A)
Notes:						
1) Measured at the end of a 2m to 5m, 50µm multi-mode patch cord.						
2) IEC 60825-1 Class 1.						
3) Measured with 9GHz minimum analog bandwidth, 20-80%.						
4) Measured running PRBS 2 ⁷ -1 using 9dB ER external reference transmitter over 50µm multi-mode fiber with a 50µm VOA.						

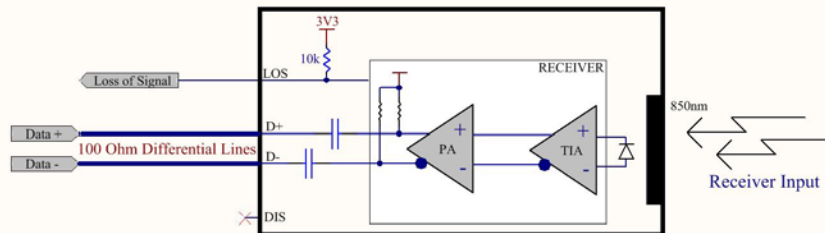
Application Schematics

Transmitter Application Schematic



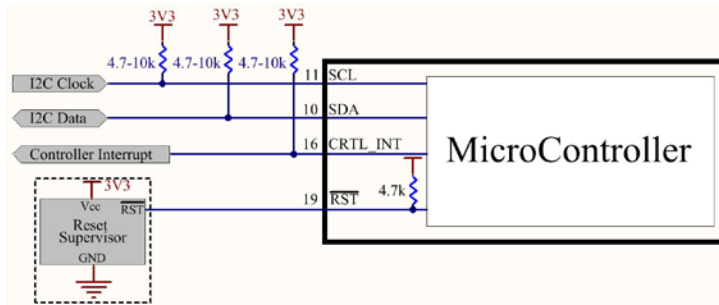
- Channels 1 & 4 are Transmitter Circuits in the standard DX version of the transceiver
 - Check Pinout on page 3 for pin assignments based on transceiver configuration

Receiver Application Schematic



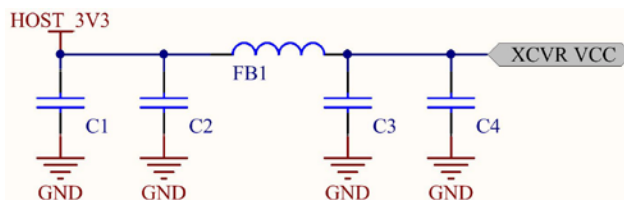
- Channels 2 & 3 are Receiver Circuits in the standard DX version of the transceiver
 - Check Pinout on page 3 for pin assignments based on transceiver configuration

Controller Application Schematic



- Pin allocation and connections to the microcontroller are common to all variations of the RCP module.
- Reset supervisor shown is optional
 - Open collector reset supervisor circuit with a hold down time of 10ms or greater should be chosen
 - COTSWORKS validated with the MAX803 Reset Supervisor
- In the absence of the reset supervisor, the power to the transceiver module must reach 1.8V in 1ms or less for a valid POR on the microcontroller

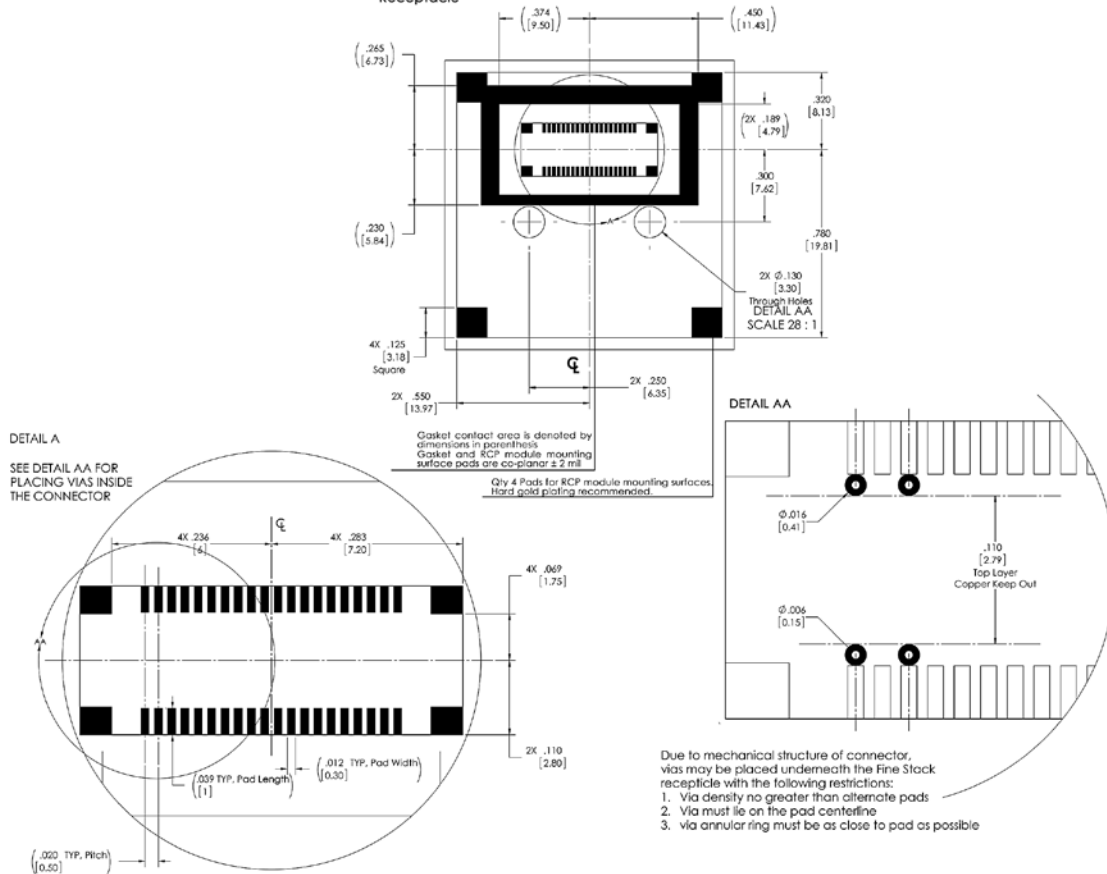
Power Filtering Circuit Application Schematic



- All four channels must be powered for proper operation of the RCP module
- Recommend host routes separate supply voltages and filtering for each channel as shown above and implemented in the Host Board Application Schematic
 - FB1 ferrite bead for power supply noise suppression; Murata BLM18KG601SN1, 0603, 600Ω @ 100MHz, 1300mA
 - C1/C4 bulk capacitance; Murata GRM21BR61C106KE15L, 0805, 10μF, 16V
 - C2/C3 de-coupling capacitors; Murata GRM155R71C104KA88D, 0402, 0.1μF, 16V

PCB Design Guidelines

- No components underneath module
- Any traces and vias must be solder masked unless connected to chassis ground
- Recommend tented or solder-filled vias to maintain moisture resistance
- Origin defined as the center point of Receptacle



Notes:

1) Case Grounding

- a. Chassis (case) ground is isolated from data ground.
- b. The method of terminating chassis ground is application dependent.
 - i. The method chosen is usually based on EMI requirements of the end application.
- c. The RCP is design to operate with chassis ground either floating or tied to data ground.

2) 40 Pin Connector Composition

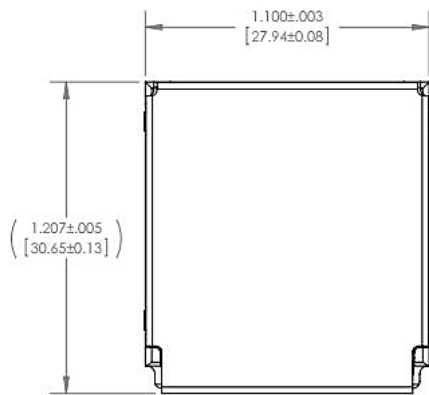
- a. Contact: Copper Alloy (t=0.15) with Gold Plating
- b. Solder Peg: Copper Alloy with Tin Plating
- c. Contact: Gold Plating (0.00076 mm)

Ordering Information for 40 Pin Board-Mount Receptacle

COTSWORKS Part Number

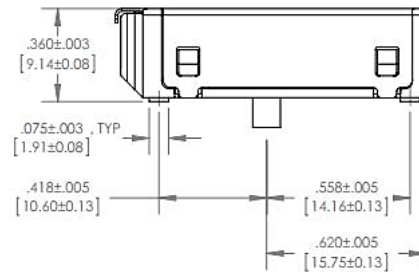
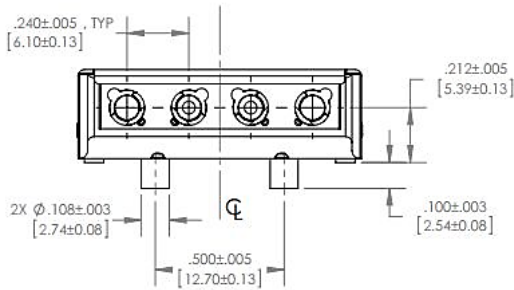
110-00047

Mechanical Specifications



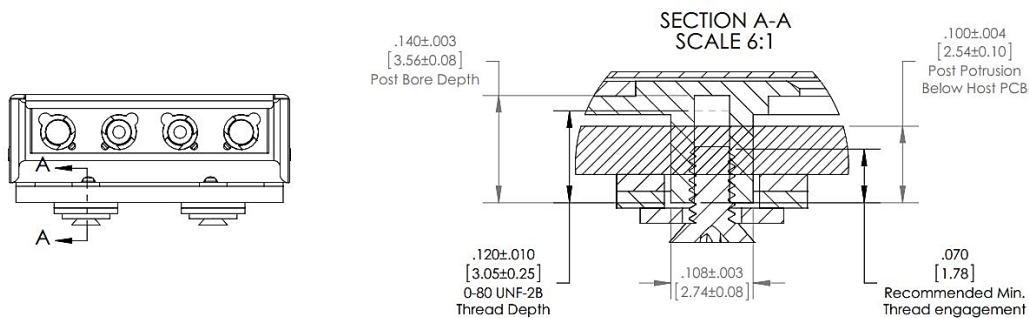
Material Composition Notes

- Machined Housing is 7075 Aluminum with electroless nickel plating.
- Cast Housing is Zamak 3 zinc alloy with electroless nickel plating.
- Fiber tray is 7075-T6 Al with no plating.
- Bottom gasket is 40A durometer of LS-2840 fluorosilicone rubber.
- EMI strip is a 45A conductive fluorosilicone rubber w/ silver plated Al filler.
- The ARINC 801 clips are beryllium copper.
- Sheet metal cover is 302 Stainless Steel, ½ hardness.



Transceiver Variant	Optical Configuration	Mass (g) [Machined]	Mass (g) [Cast]
RCP-5G-SX-DX	2 Transmitters, 2 Receivers	14.6	17.3
RCP-5G-SX-TX	4 Transmitters	14.8	17.5
RCP-5G-SX-RX	4 Receivers	14.1	16.8

Mounting Hardware Guidelines



Mounting hardware shown for standard 0.0625" PCB thickness. Please contact COTSWORKS for other board thicknesses.

Recommended Torque	12 in.-oz.
Recommended Minimum Thread Engagement	0.07 inches

Ruggedization Notes

- Parylene C coating can be used for conformal coating with a 1.0 mil \pm 0.2 mil thickness through a deposition process.
 - Parylene Type C has a 5600 VPM rating, withstands high temperatures, and is extremely resistant to oil/dirt, and object impact.
- Contact COTSWORKS for all MSDS, case composition, and burn analysis.

Reference Information

- 1) IEEE Standard 802.3-2008
- 2) Directive 2011/65/EU of the European Parliament and of the Council, "on the restriction of the use of certain hazardous substances in electrical and electronic equipment." June 8th, 2011

Regulatory Compliance

- COTSWORKS transceivers are Class 1 Laser Products and comply with US FDA regulations.
- These products are designed to comply with the Class 1 eye safety requirements of EN (IEC) 60825 and the electrical safety requirements of EN (IEC) 60950.
- This part has an option for compliance with Directive 2011/65/EU covering restriction on certain hazardous substances (RoHS)
 - Contact COTSWORKS support for a product compliance matrix

Warnings:

Handling Precautions: This device is susceptible to damage as a result of electrostatic discharge (ESD). A static free environment is highly recommended.

Laser Safety: Radiation emitted by laser devices can be dangerous to human eyes. Avoid eye exposure to direct or indirect radiation.

Ordering Information

RCP-5G-SX-	xx	-LX-	x	-x-	xx-	-x	-x
RCP Form Factor	Channel Configuration	Fiber Interface	Ruggedized Coating	Operating Temp Range	Module Serial Bus Address (leave blank for default of C4)	RoHS Level	Screw Thread Type
5Gbps Max Data Rate	DX: 2RX + 2TX RX: 4RX TX: 4TX	ARINC-801 Receptacles	(): Non-coated R: Parylene	A: -40 to 85 °C M: -40 to 95 °C S: -40 to 100 °C	C0, C2, C6, C8, CA, CC, CE, D0, D2, D4, D6, D8, DA, DC or DE	(): Lvl 5 6: Lvl 6	(): Imperial U: Metric
Short Reach (MMF)							

Example part number: RCP-5G-SX-RX-LX-R-A-C0-U

[5Gbps Rugged Chip-scale pluggable quad receiver, ARINC 801 Interfaces, Parylene-coated, industrial operating temp range, C0 Serial Bus Address, Metric Screw Threads]

Labeling Specifications

